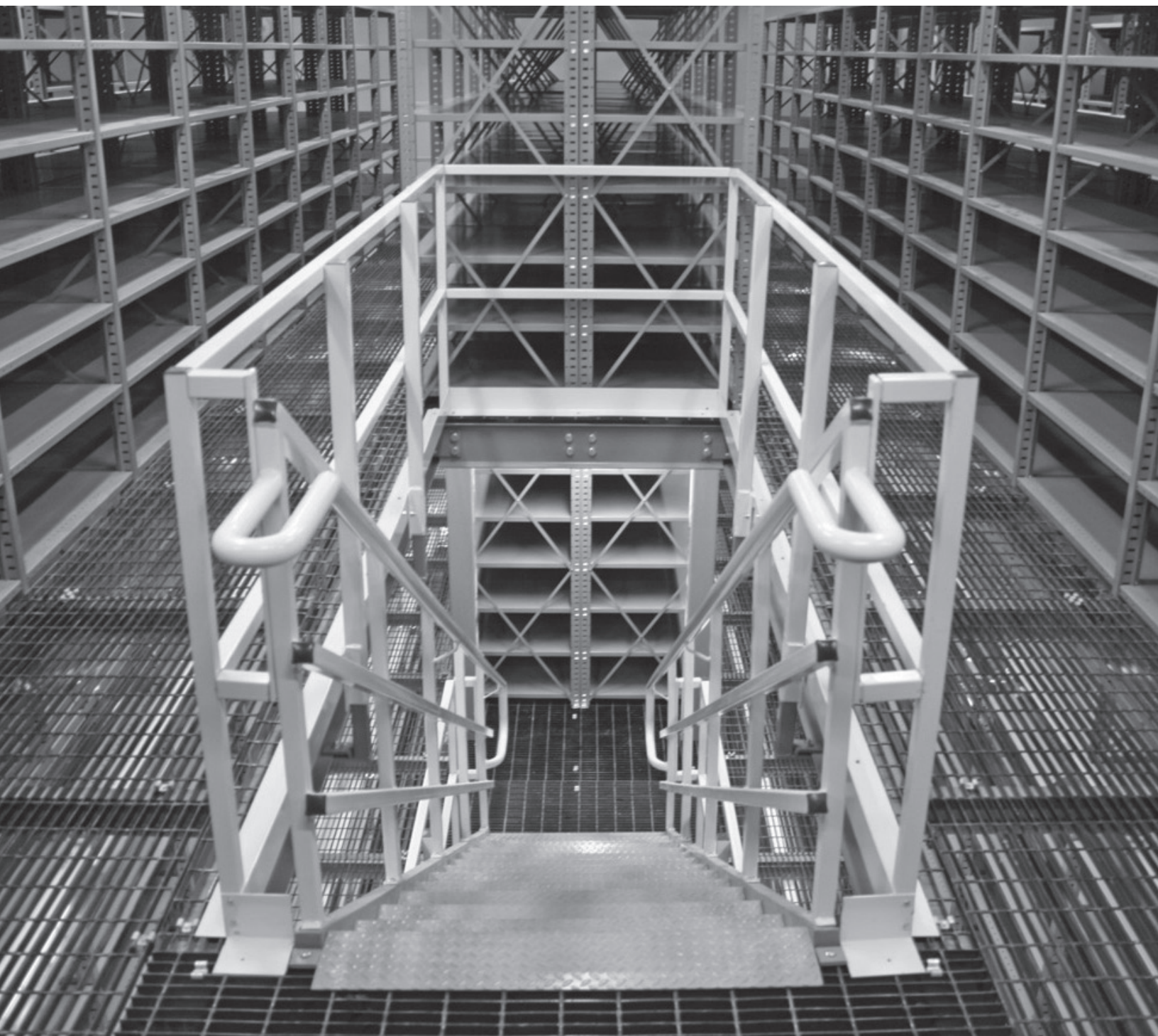


WorkSafe™

Standard Products Price Book
January 1, 2016 Update



Stairs - IBC Code

IBC Code Stairs

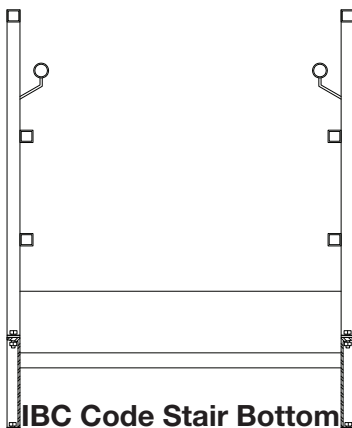
- Constructed of heavy duty MC10 x 8.4# structural channel
- Tread is 11" deep with 7" rise, constructed of 1/8" thick diamond plate
- 36" wide, closed treads with closed risers
- Stairs stringers are painted in **Penco 005 Gray**
- Includes internal stair handrails, 1 1/4" diameter schedule #40 pipe
- Top and bottom 12" long handrail extensions are standard
- Handrails are painted in **Penco 007 Safety Yellow**
- Deck heights over 12 ft. require an additional intermediate landing

IBC Code Stair Options

Feature	Net Price
42" - 48" wide treads	add \$30.00 per foot of deck height
closed treads with open risers	add \$30.00 per foot of deck height
open treads with open risers	add \$45.00 per foot of deck height

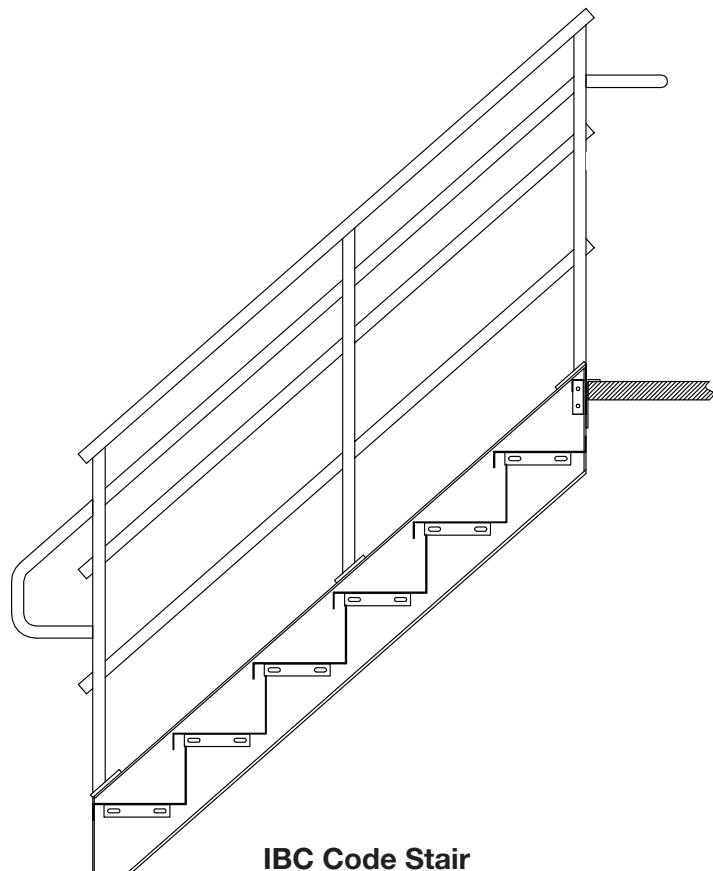
Stair Additions

non-standard color	add \$75.00 per stair
welded stair assemblies	add \$45.00 per foot of deck height
vertical baluster rails on stairway	add \$53.00 per foot of deck height
free-standing stair units	add \$225.00 per unit



IBC Code Stairs

Deck Height	Treads	Weight (lbs.)	Horizontal Run	Catalog Number	Net Price
up to 2'4"	3	304.08	2'-10 1/2"	WIBC-36-28H	\$765.00
up to 2'11"	4	390.43	3'-9 1/2"	WIBC-36-35H	\$957.10
up to 3'6"	5	459.46	4'-8 1/2"	WIBC-36-42H	\$1,058.60
up to 4'1"	6	528.42	5'-7 1/2"	WIBC-36-49H	\$1,171.40
up to 4'8"	7	597.39	6'-6 1/2"	WIBC-36-56H	\$1,302.50
up to 5'3"	8	683.81	7'-5 1/2"	WIBC-36-63H	\$1,511.10
up to 5'10"	9	752.76	8'-4 1/2"	WIBC-36-70H	\$1,607.40
up to 6'5"	10	821.73	9'-3 1/2"	WIBC-36-77H	\$1,710.90
up to 7'	11	908.05	10'-2 1/2"	WIBC-36-84H	\$1,865.30
up to 7'7"	12	977.02	11'-1 1/2"	WIBC-36-91H	\$2,082.00
up to 8'2"	13	1046.07	12'-1/2"	WIBC-36-98H	\$2,226.40
up to 8'9"	14	1115.02	12'-11 1/2"	WIBC-36-105H	\$2,326.20
up to 9'4"	15	1201.36	13'-10 1/2"	WIBC-36-112H	\$2,518.70
up to 9'11"	16	1270.32	14'-9 1/2"	WIBC-36-119H	\$2,622.30
up to 10'6"	17	1339.36	15'-8 1/2"	WIBC-36-126H	\$2,883.20
up to 11'1"	18	1408.33	16'-7 1/2"	WIBC-36-133H	\$2,991.90
up to 11'8"	19	1494.66	17'-6 1/2"	WIBC-36-140H	\$3,168.20
up to 12'	20	1552.92	18'-5 1/2"	WIBC-36-144H	\$3,303.00



Stairs - OSHA Code

OSHA Code Stairs

- Constructed of heavy duty MC10 x 8.4# structural channel
- Tread is 9¾" deep with 9" rise, constructed of 1-1/8" bar grating
- 36" wide, open treads with open risers
- Stairs stringers are painted in **Penco 005 Gray**
- Bar grating treads are powder coated in **Black**
- Includes internal stair handrails, 1¼" diameter schedule #40 pipe
- Handrails are painted in **Penco 007 Safety Yellow**
- Deck heights over 12 ft. require an additional intermediate landing

OSHA Code Stairs

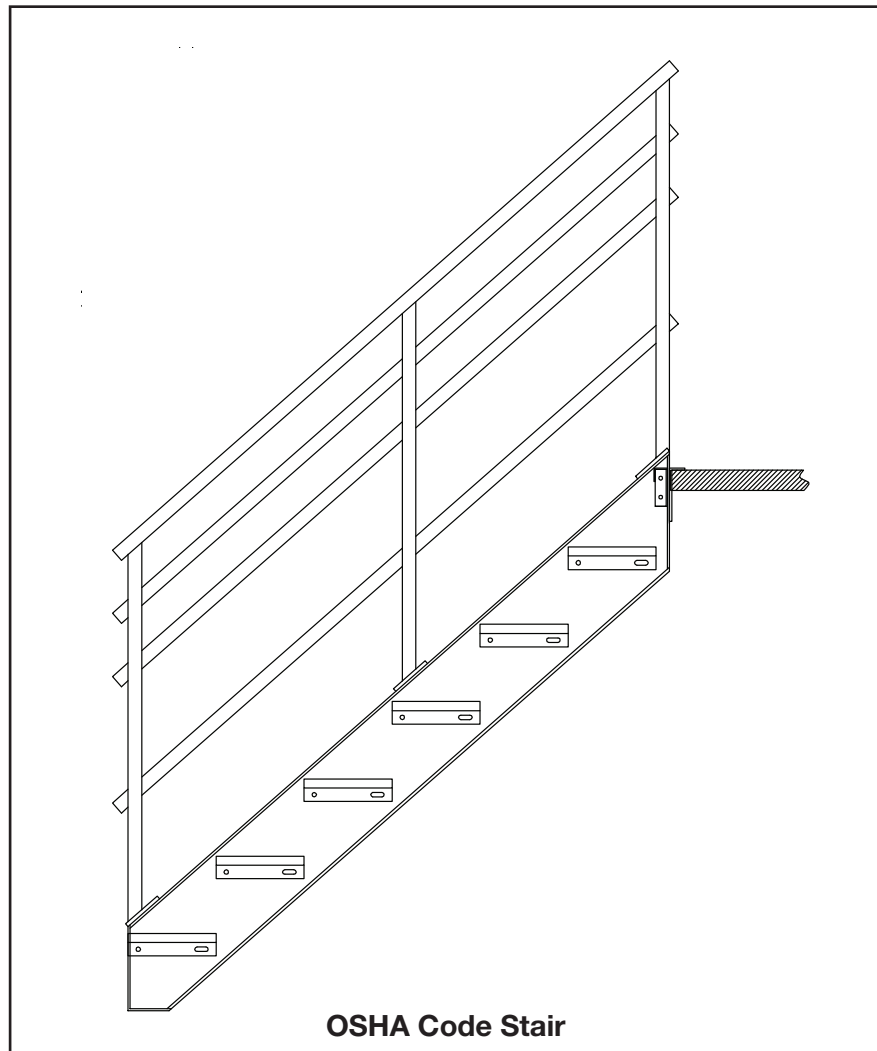
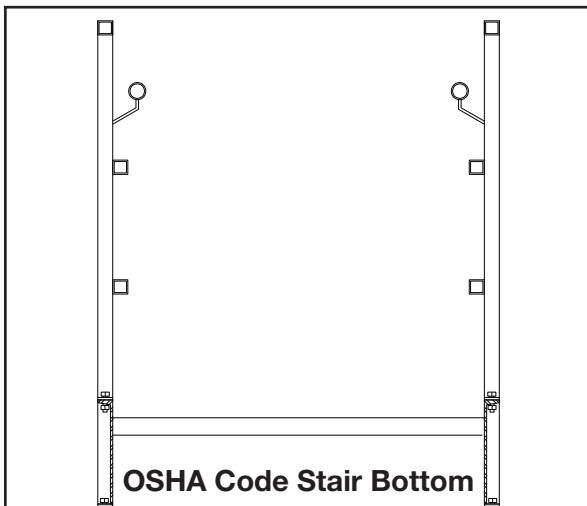
Deck Height	Treads	Weight (lbs.)	Horizontal Run	Catalog Number	Net Price
up to 2'3"	2	152.16	1'-8"	WOSHA-36-27H	\$681.60
up to 3'	3	219.12	2'-6¾"	WOSHA-36-36H	\$791.00
up to 3'9"	4	297.10	3'-4½"	WOSHA-36-45H	\$956.40
up to 4'6"	5	337.42	4'-2½"	WOSHA-36-54H	\$1,053.20
up to 5'3"	6	387.86	5'	WOSHA-36-63H	\$1,163.30
up to 6'	7	438.31	5'-9½"	WOSHA-36-72H	\$1,299.80
up to 6'9"	8	506.07	6'-7½"	WOSHA-36-81H	\$1,530.50
up to 7'6"	9	556.60	7'-5½"	WOSHA-36-90H	\$1,619.00
up to 8'3"	10	607.05	8'-3"	WOSHA-36-99H	\$1,725.30
up to 9'	11	674.81	9'-1"	WOSHA-36-108H	\$1,886.70
up to 9'9"	12	725.35	9'-10½"	WOSHA-36-117H	\$2,035.60
up to 10'6"	13	775.79	10'-8¼"	WOSHA-36-126H	\$2,144.60
up to 11'3"	14	826.31	11'-6"	WOSHA-36-135H	\$2,244.20
up to 12'	15	894.71	12'-3¾"	WOSHA-36-144H	\$2,555.90

OSHA Code Stair Options

Feature	Net Price
42" - 48" wide treads	add \$15.00 per foot of deck height
closed treads with closed risers	add \$45.00 per foot of deck height
closed treads with open risers	add \$30.00 per foot of deck height

Stair Additions

non-standard color	add \$75.00 per stair
welded stair assemblies	add \$45.00 per foot of deck height
vertical baluster rails on stairway	add \$53.00 per foot of deck height
free-standing stair units	add \$225.00 per unit



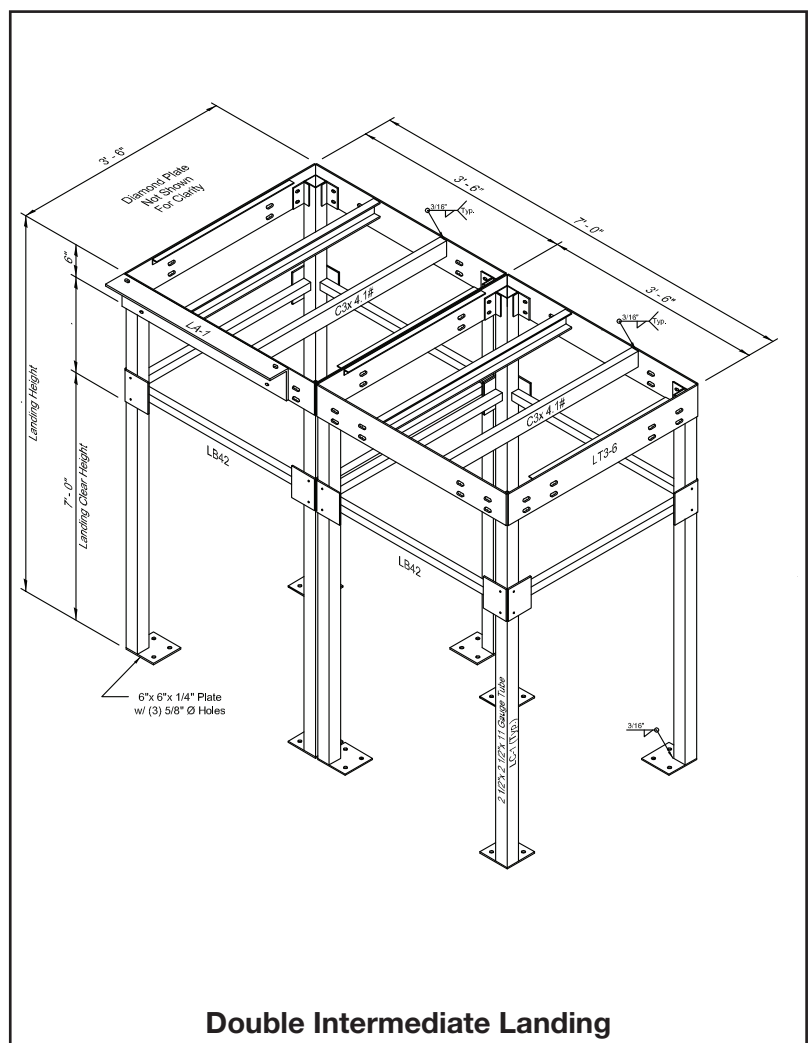
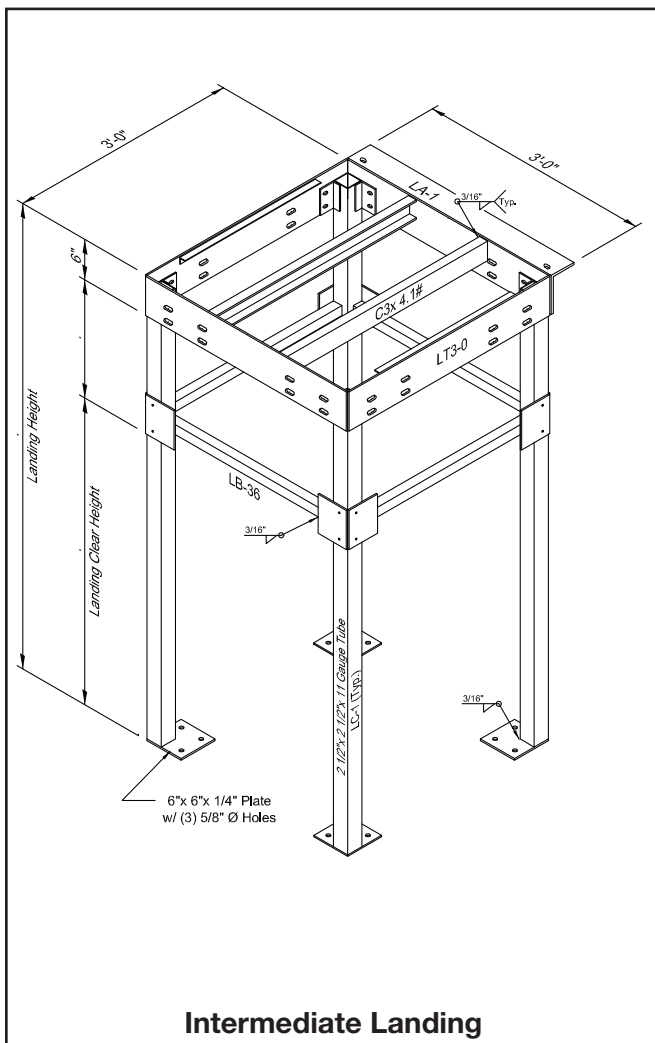
Landings

Landings

- 1/8" diamond plate painted deck and handrail is supplied on two sides along with landing attachment plate
- Landings are 4-column supported using 2 1/2" square tubular uprights and 1/4" x 6" top framing
- Landings are powder coated in **Penco 005 Gray**. Handrails and kick-plate are painted **Penco 007 Safety Yellow**
- Base plates are 6" square x 1/4" thick, drilled for one anchor bolt per base plate
- Lateral bracing using 1 1/2", 14 gauge square tubing is standard
- Maximum 12 ft. height with 4-column support

Landings				
Size	Description	Weight (lbs.)	Catalog Number	Net Price
3' x 3'	intermediate landing (straight run)	537.37	WL-INT-3636H	\$1,246.70
3'6" x 3'6"	intermediate landing (L-shaped run)	590.16	WL-L-4242H	\$1,317.20
3'6" x 3'6"	top landing	563.91	WL-TOP-4242H	\$1,327.70
4' x 4'	top landing	628.56	WL-TOP-4848H	\$1,304.00
3'6" x 7'	intermediate landing (U-shaped run)	1064.95	WL-U-4284H	\$2,579.90

Landing Additions	
Feature	Net Price
landing heights 12' to 20'	add \$53.00 per foot of height over 12'
vertical balusters on landing	add \$225.00 per unit



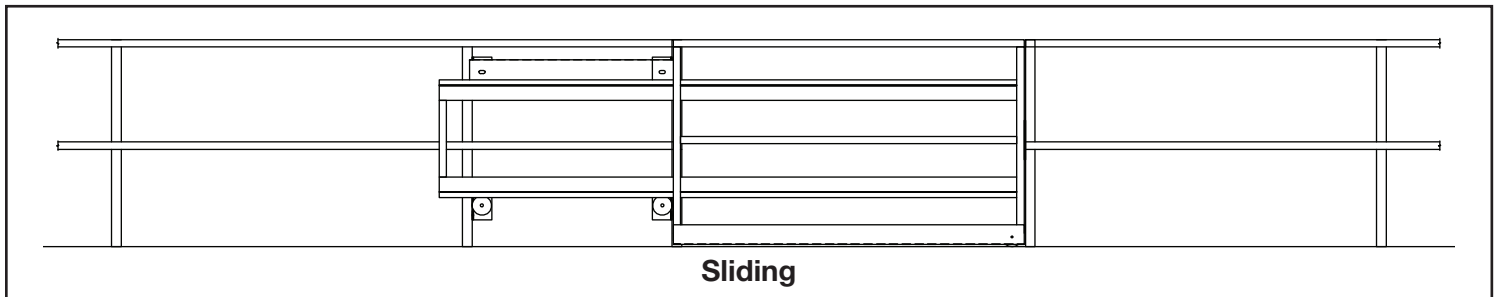
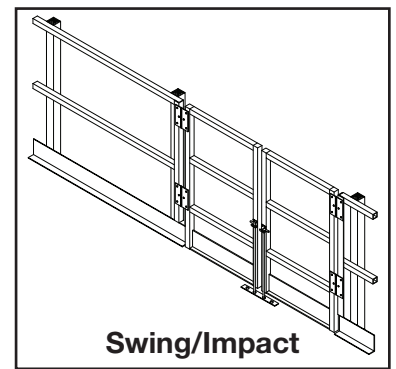
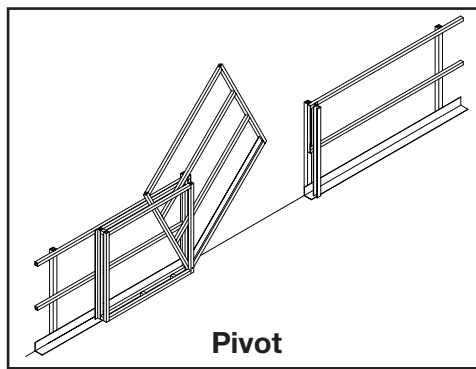
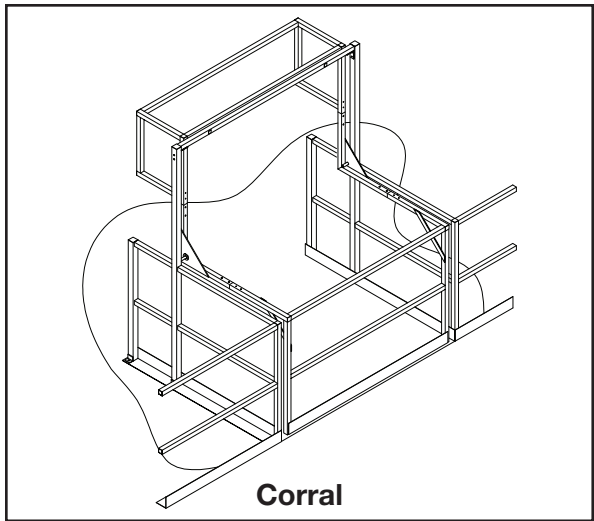
Handrail and Gates

Handrail and Gates

- Handrails are constructed of 1½” square x 14 gauge square tube cross-rails with 2½” square tubular steel uprights on nominal 6’ centers
- Available in two (2) rail or three (3) rail systems
- Kick plate is 4” tall 1/8” formed angle Tek-screwed to the posts
- Handrail is also available in 1¼” schedule 40 pipe (not as a standard)
- **Note: Posts are not designed to work on concrete decks or concrete flooring**
- Gates are welded construction of 1½” square x 14 gauge square tube with heavy-duty hinges and locking stop of hasp
- Optional pallet drop available to avoid deck damage from pallet loading
- Powder coated in **Penco 007 Safety Yellow**

Handrail			
Description	Weight (lbs.)	Catalog Number	Net Price
deck mounted corner post kit kit includes: (1) yellow deck mounted corner post, (2) yellow anchor plates, (1) black plastic cap for post, 5/16” bolts, nuts and washers to connect to deck	21.14	WDMPC-HC007	\$42.90
deck mounted post kit kit includes: (1) yellow deck mounted interior post, (2) yellow anchor plates, (1) black plastic cap for post, and 5/16” bolts, nuts and washers to connect to deck	21.33	WDMP-HC007	\$43.00
2-rail handrail with kick plate kit includes: (2) yellow 1½” square rails-6’-0” long, (2) yellow end tabs to attach rails to post, (1) yellow 4” x 1” kickplate-6’-3” long, and all required screws	35.44	W2RAIL-HC007	\$75.80
3-rail handrail with kick plate kit includes: (3) yellow 1½” square rails-6’-0” long, (2) yellow end tabs to attach rails to post, (1) yellow 4” x 1” kickplate-6’-3” long, and all required screws	57.87	W3RAIL-HC007	\$100.00
1½” x 1½” black plastic cap	0.13	W78640	\$0.10
2” x 2” black plastic cap	0.25	W78630	\$0.20
2½” x 2½” black plastic cap	0.38	W78620	\$2.40

Gates			
Type	Weight (lbs.)	Catalog Number	Net Price
6’ Swing	75.25	WG-SWING-HC007	\$323.60
6’ Sliding	208.49	WG-SLIDE-HC007	\$615.80
6’ Corral	265.24	WG-CORRAL-HC007	\$1,011.30
6’ Pivot	138.91	WG-PIVOT-HC007	\$566.80
6’ Impact	128.10	WG-IMPACT-HC007	\$740.70
5’ pallet drop guard	147.71	WG-PDG05-HC007	\$156.00
6’ pallet drop guard	216.63	WG-PDG06-HC007	\$309.30





www.pencoproducts.com

Every customer's first choice to transform space into safe, secure and effective storage.

GENERAL INSTRUCTIONS

SMALL ORDER POLICY: MINIMUM ORDER - \$50.00 Net plus shipping costs.

PURCHASE ORDERS: All purchase orders must be addressed to Penco Products, Inc.

ORDER CANCELLATION: All cancellations must be reviewed and approved by the factory. Any work started will increase the cancellation charges that may apply up to 100% if the order is complete and ready to ship. Accrual of costs starts at the beginning of the order from date of order entry.

DELAYED SHIPMENTS: We ship all orders as ready. If a delivery can not be accepted on a job site and the material needs to be held until a new ship date is established, charges will be incurred. Accrual of costs starts at the beginning of the next business day after notification of delayed shipment is received.

PENCO PRODUCTS, INC. • 1820 Stonehenge Drive • Greenville, NC 27858
PHONE: 800-562-1000 • FAX: 252-798-3473 • E-MAIL: general@pencoproducts.com

